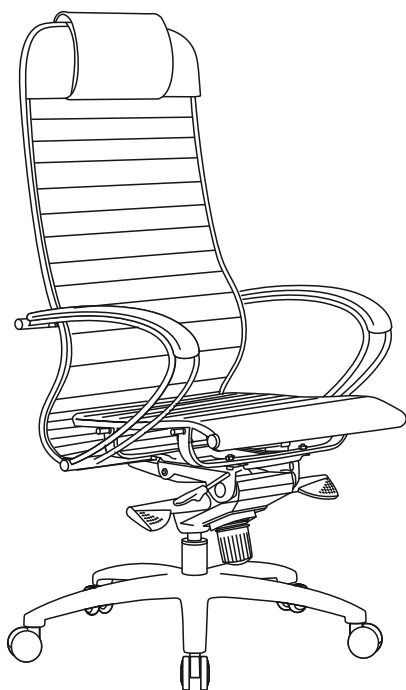
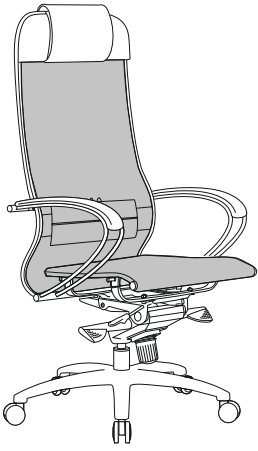


# SAMURAI

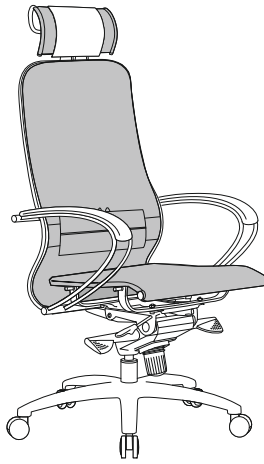


S-1.04/S-2.04/  
K-1.04/K-2.04/  
LUX2, LUX

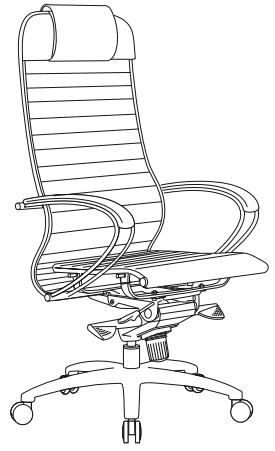




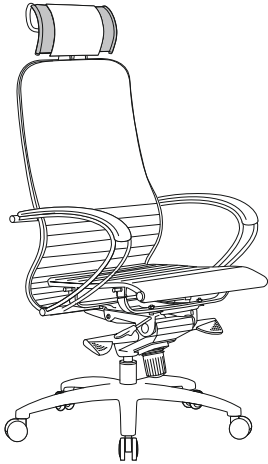
S-1.04



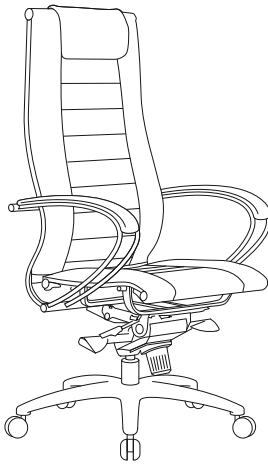
S-2.04



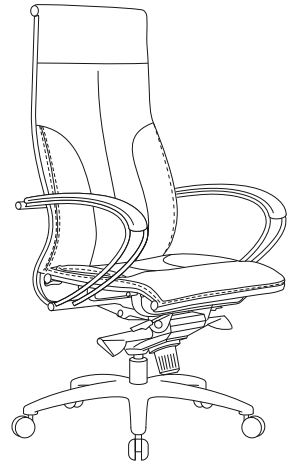
K-1.04



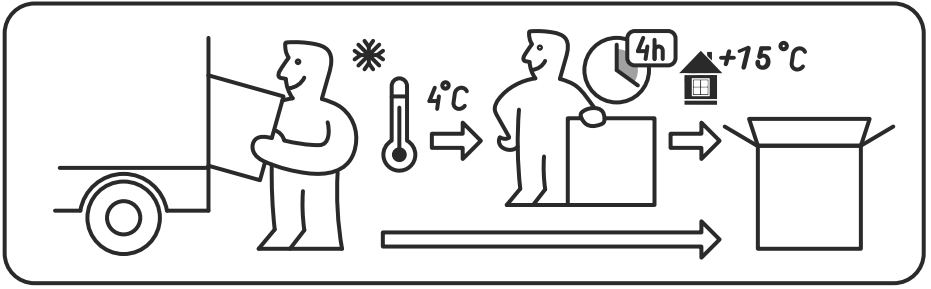
K-2.04



LUX2

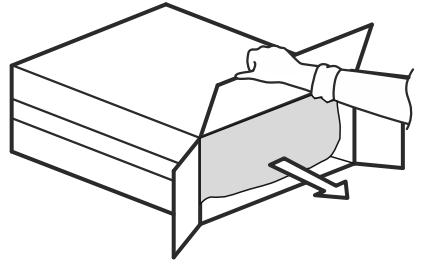
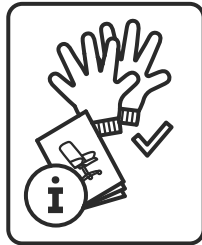
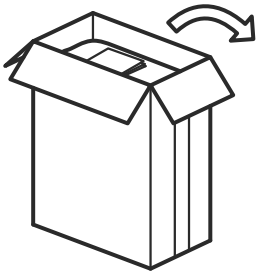


LUX

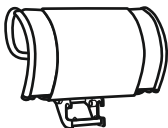
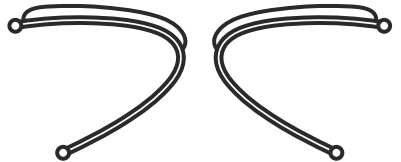
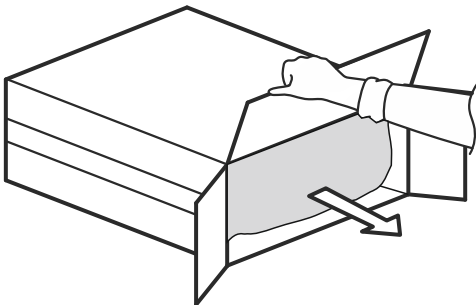


# 1

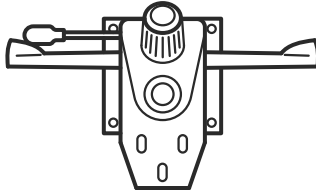
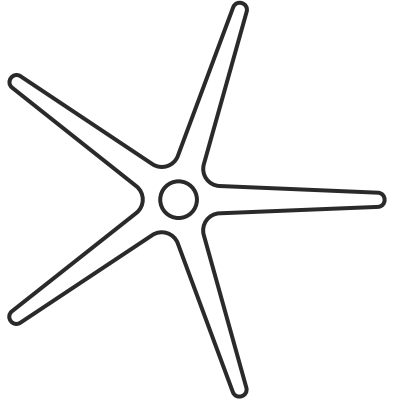
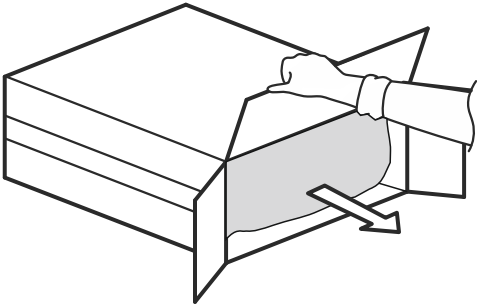
Start



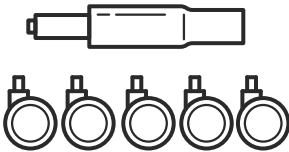
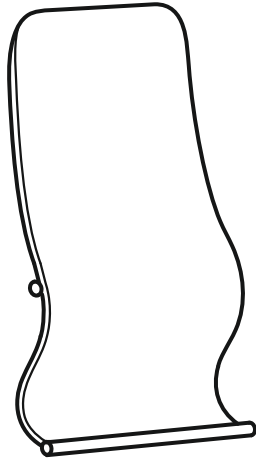
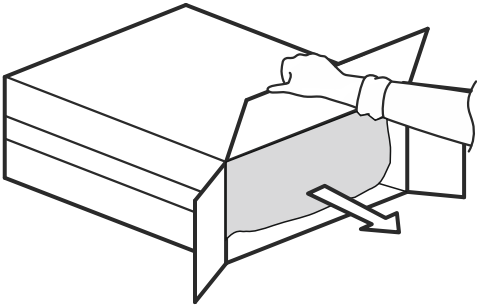
# 2



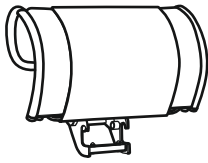
3



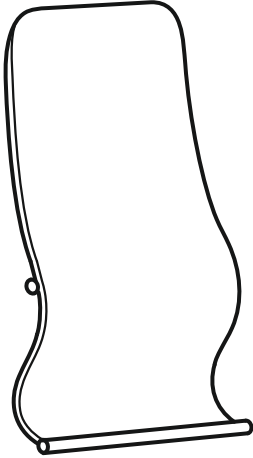
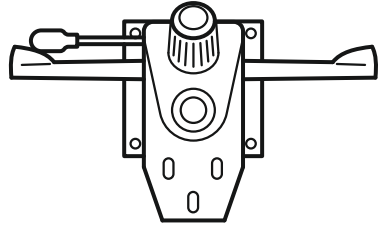
4



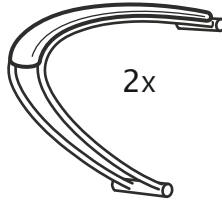
# 5



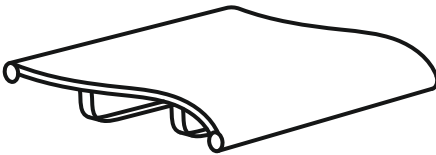
S-2.04/K-2.04



S-1.04  
K-1.04



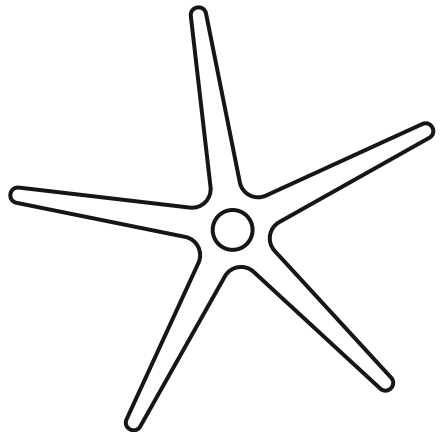
2x



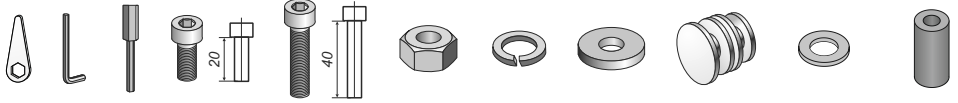
5x



R S-2.04  
K-2.04

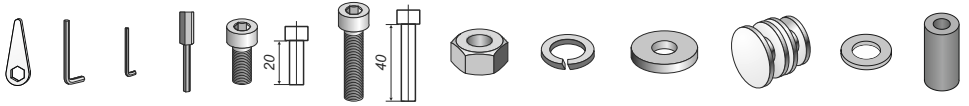


### S-1.04, K-1.04, LUX2, LUX



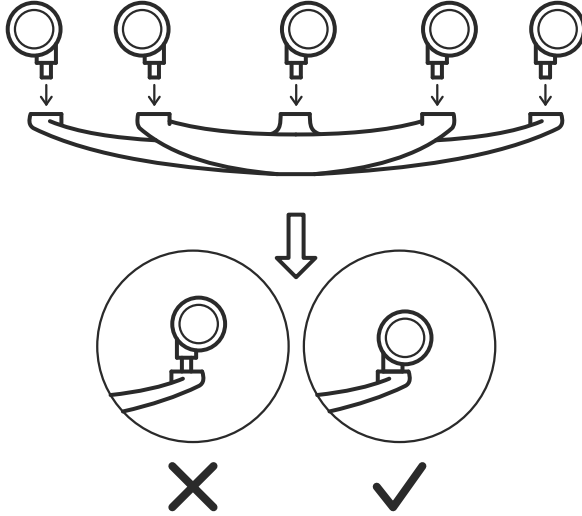
O	P	U	M	S	I	J	K	T	L	Z
1x	1x	1x	9x	2x	4x	11x	4x	4x	3x	2x

### S-2.04, K-2.04

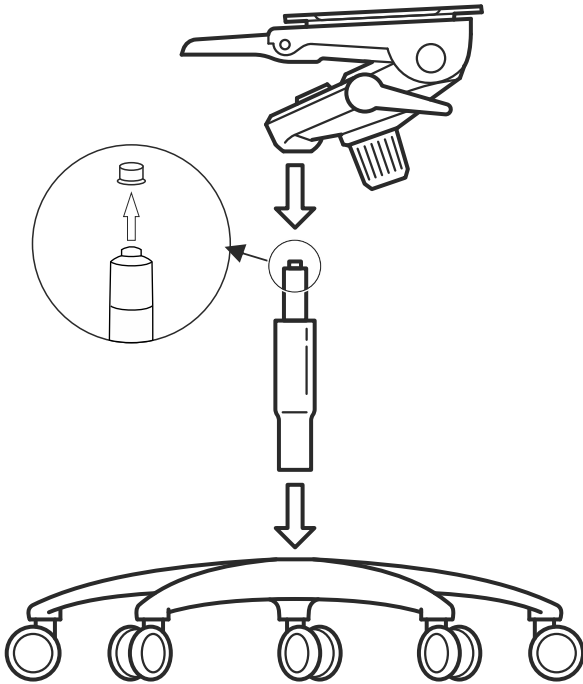


O	P	P2	U	M	S	I	J	K	T	L	Z
1x	1x	1x	1x	9x	2x	4x	11x	4x	4x	3x	2x

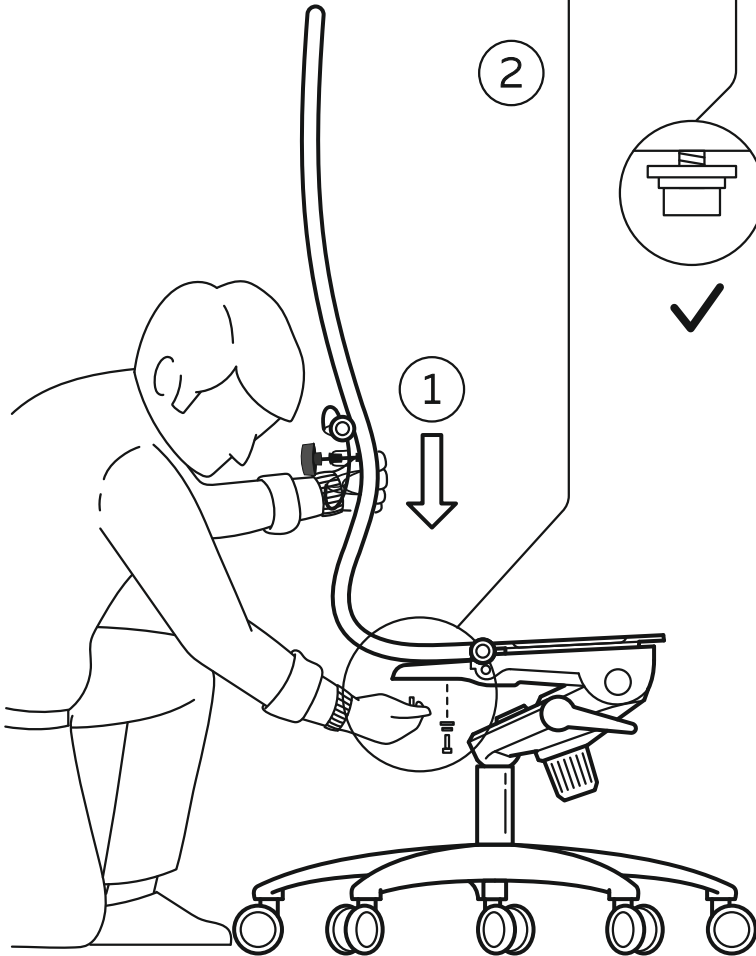
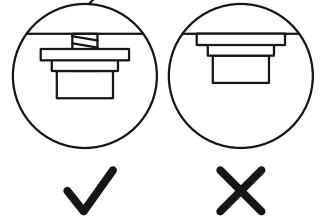
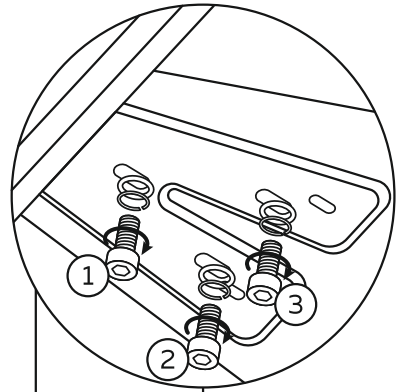
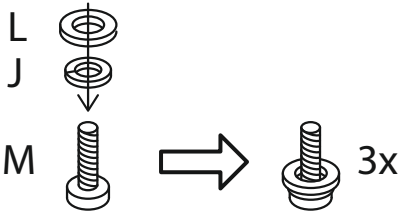
6



7

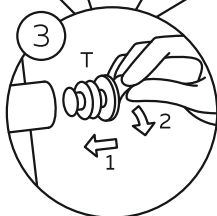
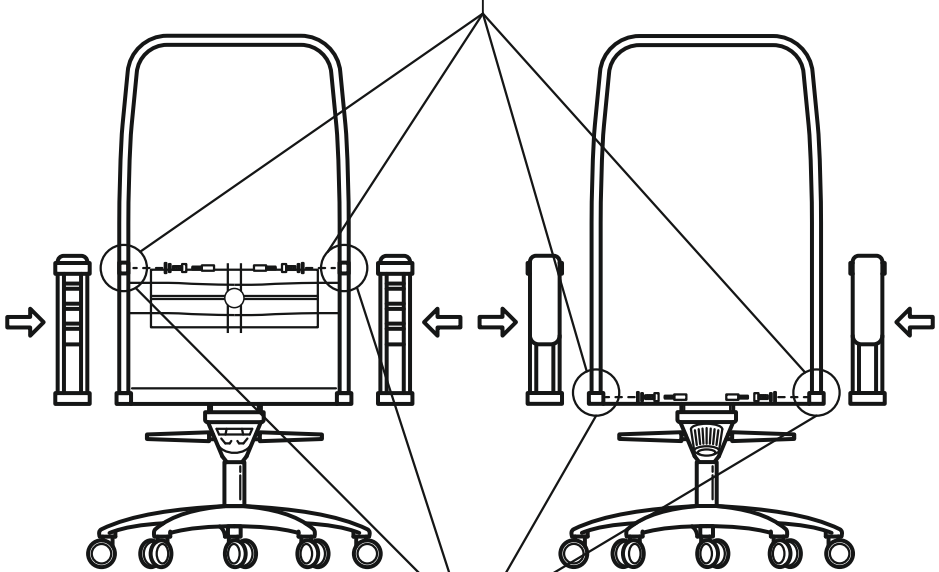
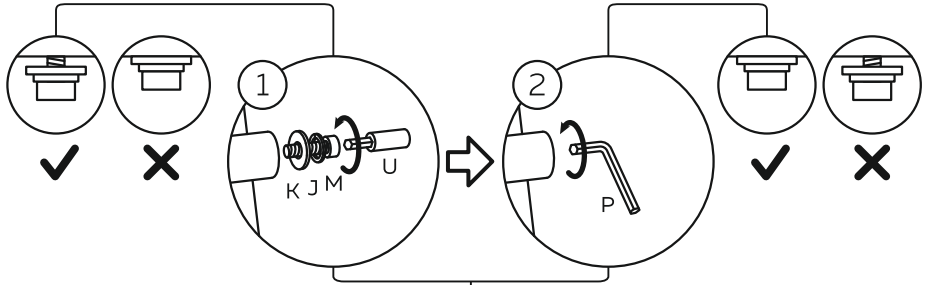
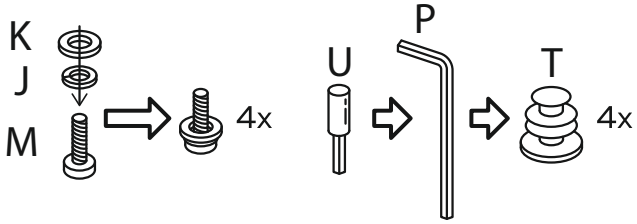


# 8

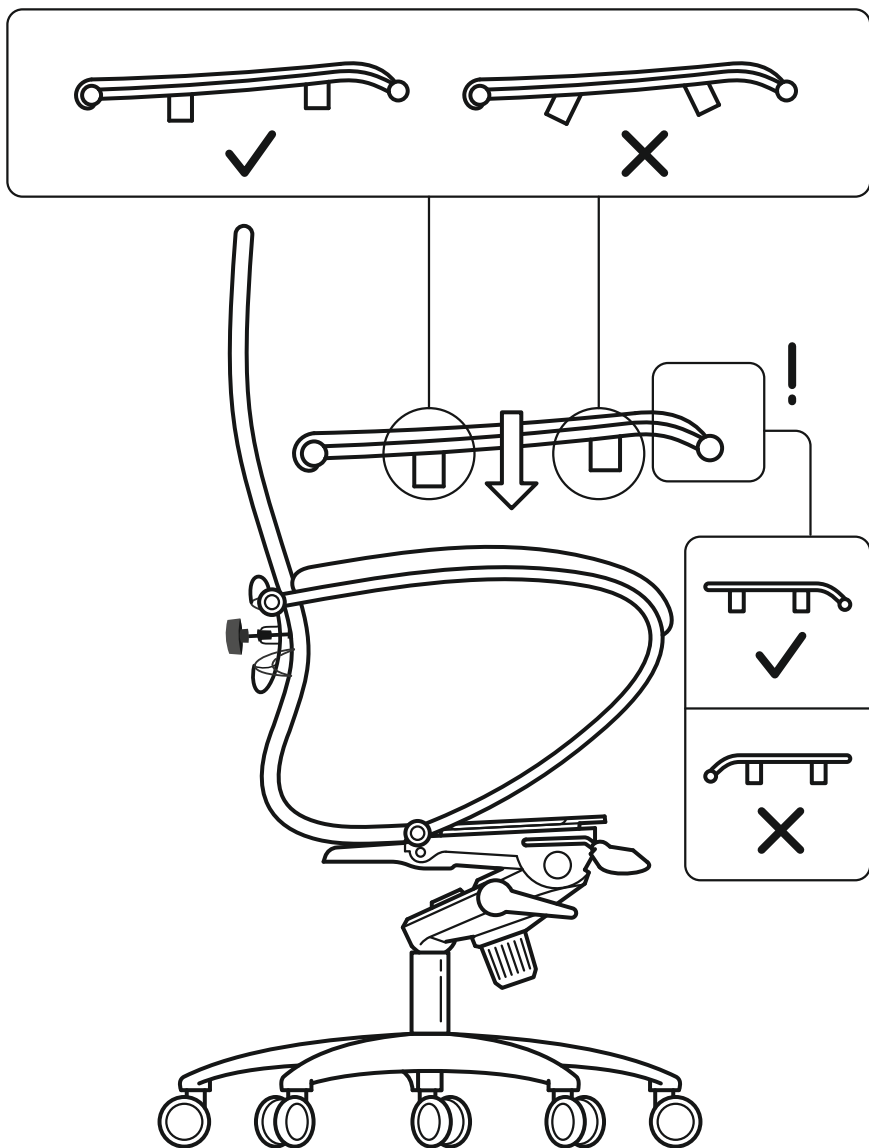




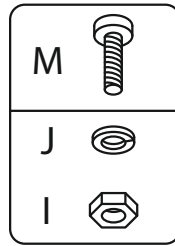
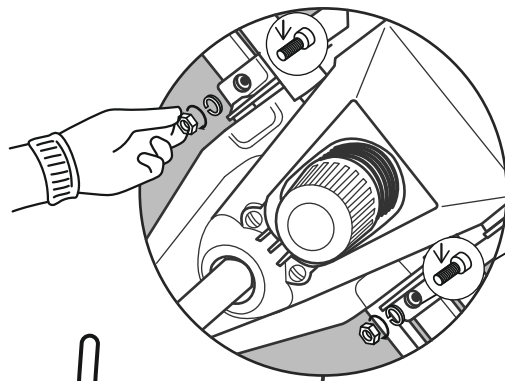
# 9



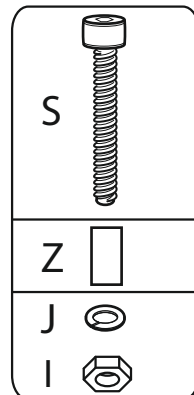
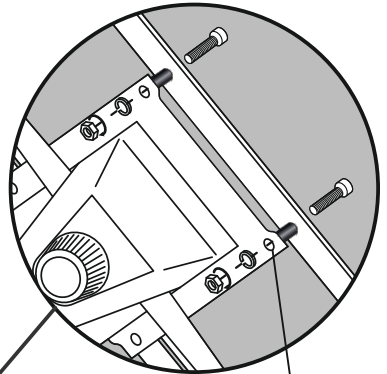
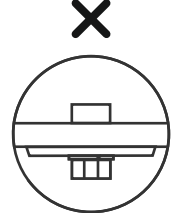
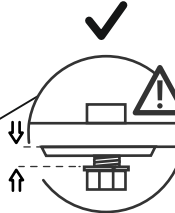
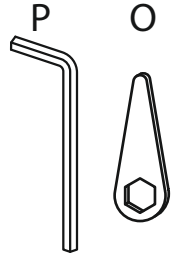
# 10



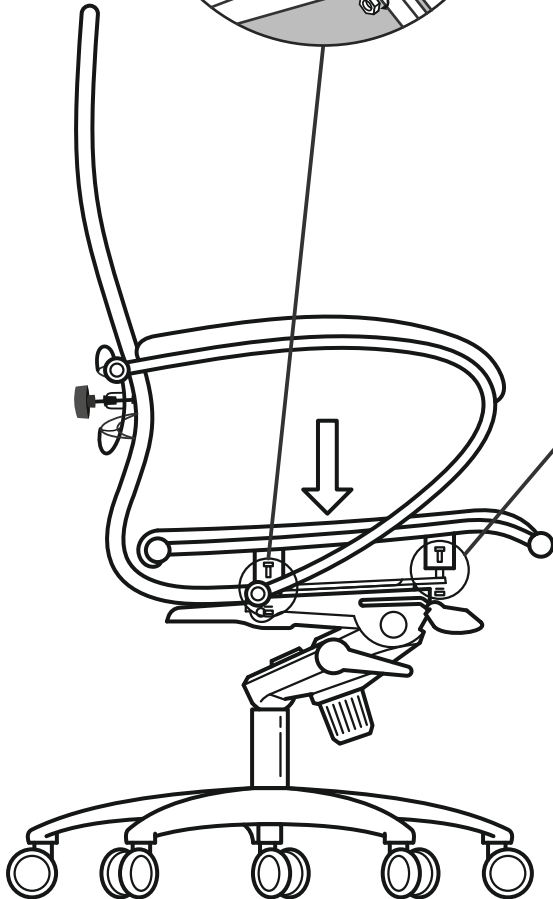
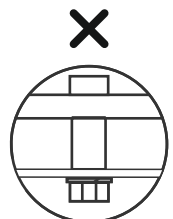
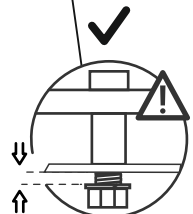
# 11



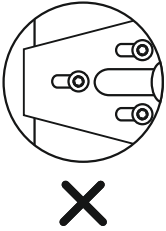
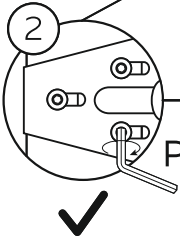
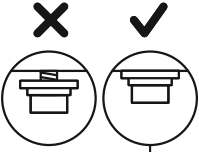
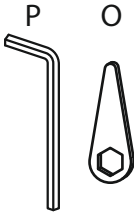
2x



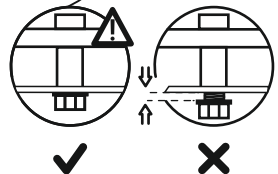
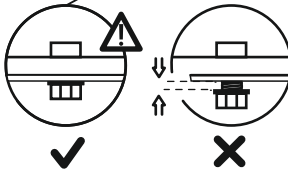
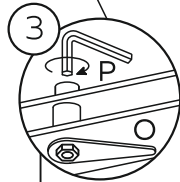
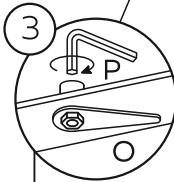
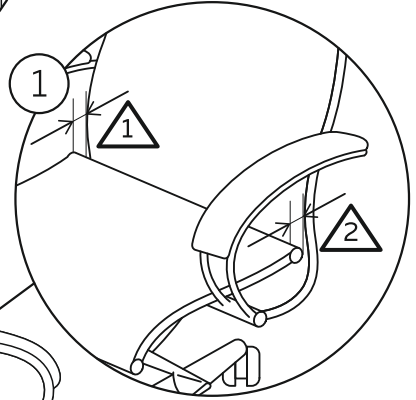
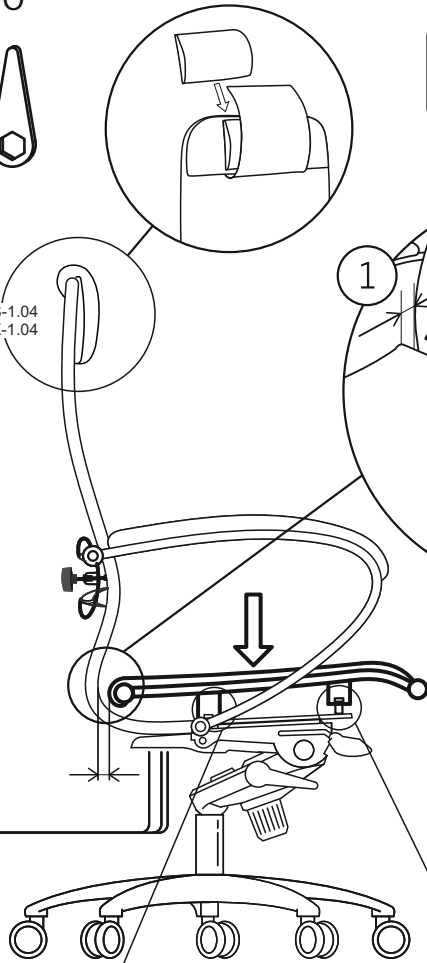
x2



# 12

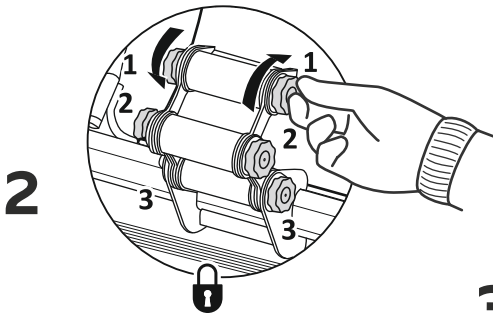
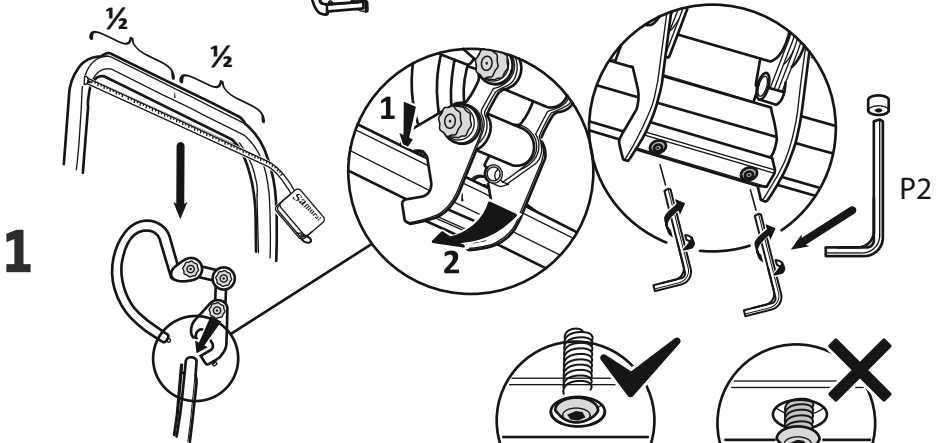
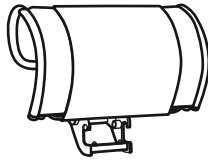


S-1.04  
K-1.04



# 13

S-2.04/K-2.04



**3**

